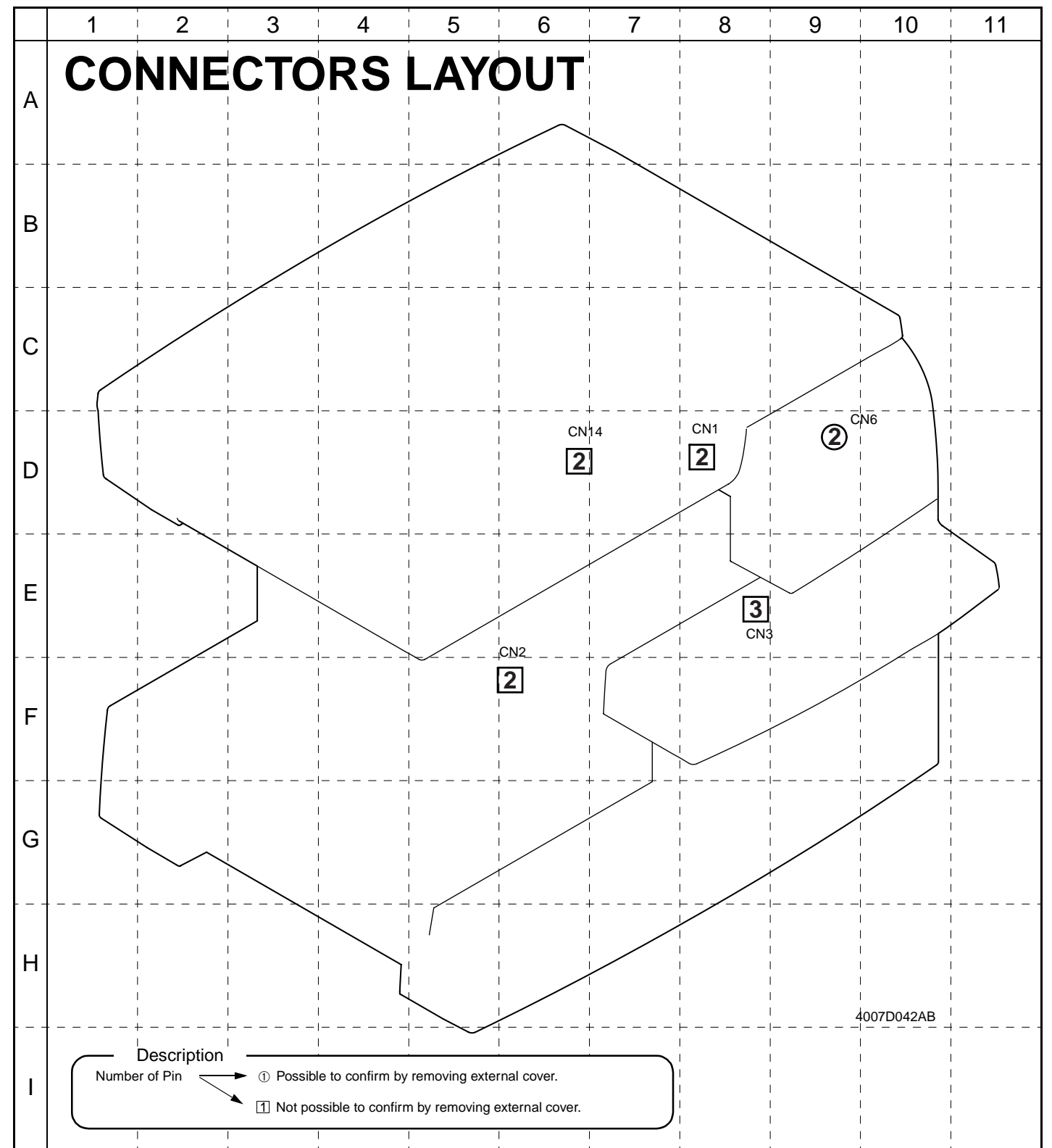


| SYMBOL | PART NAME | LOCATION | GRID |
|--------|----------------------------------|----------|------|
| H1 | Fusing Heater Lamp | 2-B | 8-C |
| HV1 | High Voltage Unit | 2-E | 7-F |
| LA1 | Exposure Lamp | 6-B | 3-D |
| M1 | Main Motor | 8-F | 4-E |
| M3 | Fusing Section Cooling Fan Motor | 1-A | 8-D |
| M5 | PH Section Cooling Fan Motor | 4-A | 4-E |
| M6 | Scanner Motor | 4-D | 6-C |
| PH | Printer Head | 3-A | 6-E |
| PS1 | Paper Take-Up Sensor | 1-H | 8-E |
| PS3 | Paper Exit Sensor | 1-C | 9-C |
| PS4 | Paper Empty Sensor | 1-I | 6-E |
| PS5 | Scanner Home Position Sensor | 4-D | 7-B |
| PU1 | Power Supply Board | 7-B | 9-E |

| SYMBOL | PART NAME | LOCATION | GRID |
|--------|-----------------------------|----------|------|
| PWB-A | Master Board | 6-H | 2-F |
| PWB-B | Control Panel | 4-B | 10-E |
| PWB-G | Toner Empty Board | 1-D | 8-F |
| PWB-I | Control Board | 5-C | 4-C |
| PWB-M | Memory Board | 5-C | 4-C |
| PWB-S | Scanner Interface Board | 5-B | 5-C |
| S1 | Power Switch | 8-D | 6-D |
| S2 | Upper Unit Interlock Switch | 8-E | 6-C |
| S3 | ADF Set Switch | 4-C | 8-D |
| SL1 | Paper Take-Up Solenoid | 1-G | 6-E |
| TH1 | Thermistor | 1-B | 7-C |
| TS1 | Thermoswitch | 1-B | 7-C |

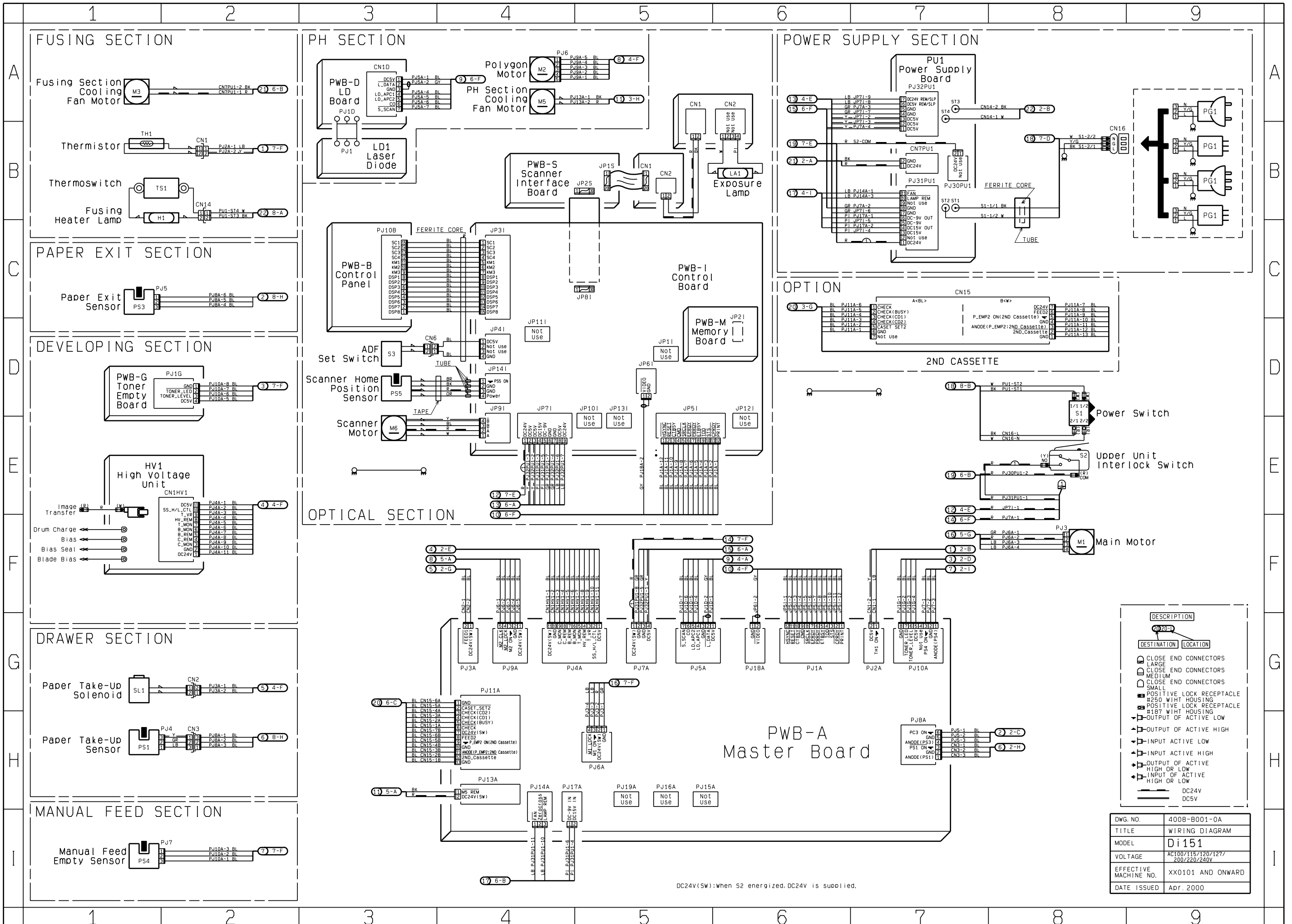
4007-B301-0A



| CN No. | DESCRIPTION | LOCATION | GRID |
|--------|-------------|----------|------|
| CN1 | 2P | 2-B | 8-D |
| CN2 | 2P | 2-G | 6-F |
| CN3 | 3P | 2-H | 8-E |
| CN6 | 2P | 4-C | 9-D |
| CN14 | 2P | 2-B | 6-D |

Description
 Number of Pin → ① Possible to confirm by removing external cover.
 → ② Not possible to confirm by removing external cover.

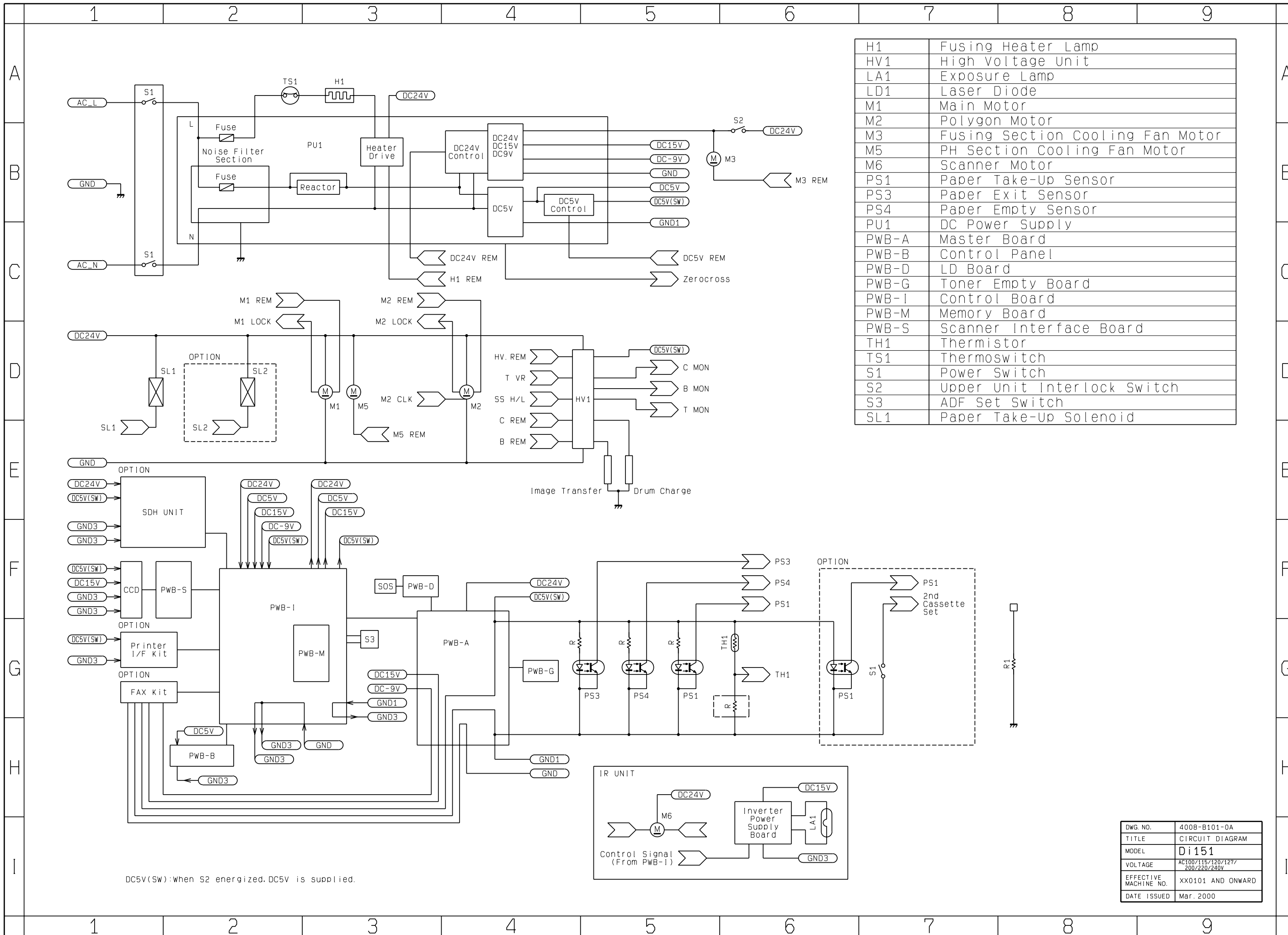
4007-B401-0A



DC24V(SW):when S2 energized,DC24V is supplied.

| DESCRIPTION | |
|-------------|--|
| DESTINATION | LOCATION |
| ⊖ | CLOSE END CONNECTORS LARGE |
| ⊖ | CLOSE END CONNECTORS MEDIUM |
| ⊖ | CLOSE END CONNECTORS SMALL |
| + | POSITIVE LOCK RECEPTACLE #250 WIHT HOUSING |
| + | POSITIVE LOCK RECEPTACLE #187 WIHT HOUSING |
| ⊖ | OUTPUT OF ACTIVE LOW |
| + | OUTPUT OF ACTIVE HIGH |
| ⊖ | INPUT ACTIVE LOW |
| + | INPUT ACTIVE HIGH |
| ⊖ | OUTPUT OF ACTIVE HIGH OR LOW |
| + | INPUT OF ACTIVE HIGH OR LOW |
| — | DC24V |
| — | DC5V |

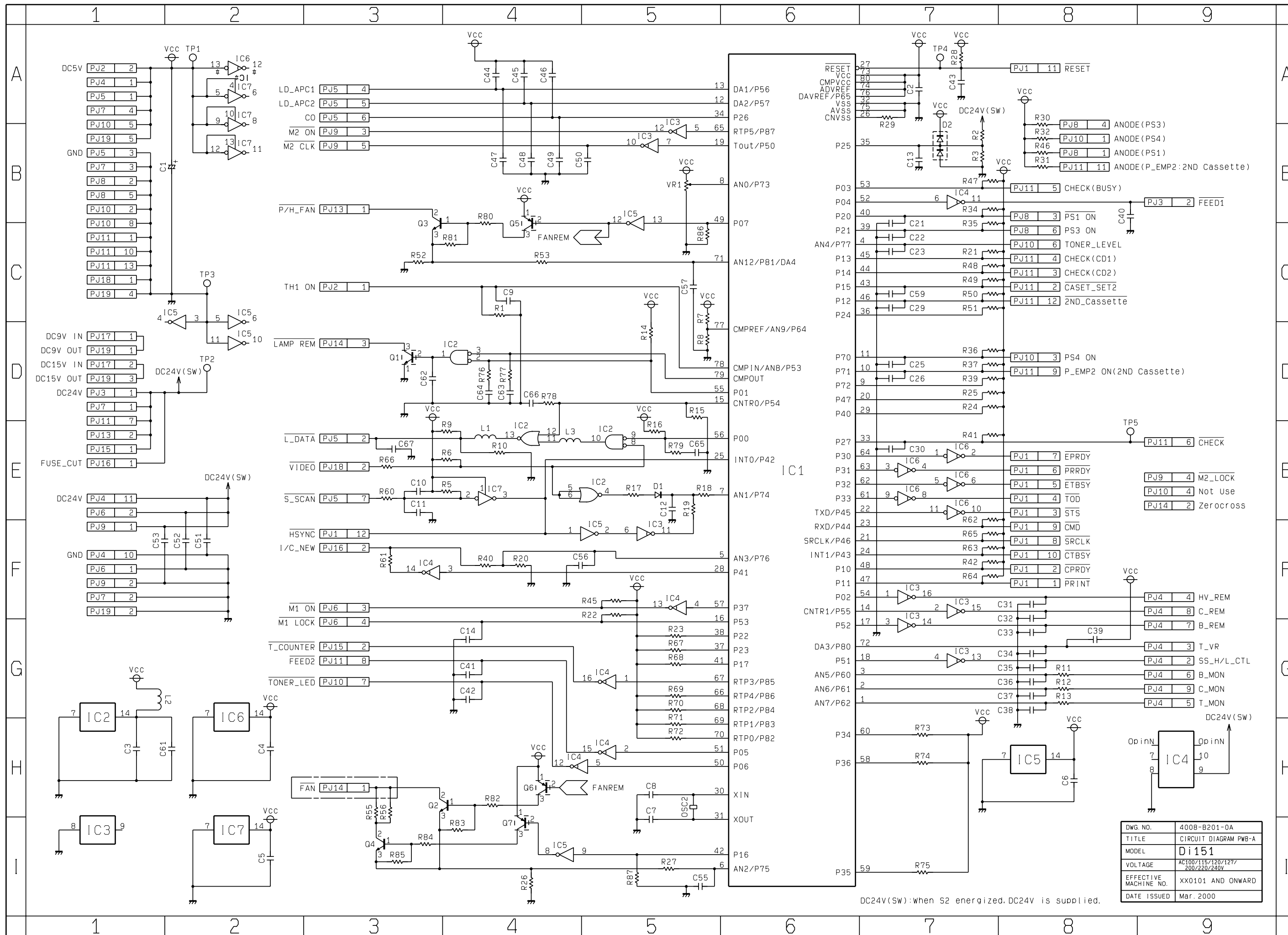
| | |
|-----------------------|--------------------------------|
| DWG. NO. | 400B-B001-0A |
| TITLE | WIRING DIAGRAM |
| MODEL | D1151 |
| VOLTAGE | AC100/115/120/127/200/220/240V |
| EFFECTIVE MACHINE NO. | XX0101 AND ONWARD |
| DATE ISSUED | Apr. 2000 |



| | |
|-------|----------------------------------|
| H1 | Fusing Heater Lamp |
| HV1 | High Voltage Unit |
| LA1 | Exposure Lamp |
| LD1 | Laser Diode |
| M1 | Main Motor |
| M2 | Polygon Motor |
| M3 | Fusing Section Cooling Fan Motor |
| M5 | PH Section Cooling Fan Motor |
| M6 | Scanner Motor |
| PS1 | Paper Take-Up Sensor |
| PS3 | Paper Exit Sensor |
| PS4 | Paper Empty Sensor |
| PU1 | DC Power Supply |
| PWB-A | Master Board |
| PWB-B | Control Panel |
| PWB-D | LD Board |
| PWB-G | Toner Empty Board |
| PWB-I | Control Board |
| PWB-M | Memory Board |
| PWB-S | Scanner Interface Board |
| TH1 | Thermistor |
| TS1 | Thermoswitch |
| S1 | Power Switch |
| S2 | Upper Unit Interlock Switch |
| S3 | ADF Set Switch |
| SL1 | Paper Take-Up Solenoid |

DC5V(SW): when S2 energized, DC5V is supplied.

| | |
|-----------------------|------------------------------------|
| DWG. NO. | 4008-B101-0A |
| TITLE | CIRCUIT DIAGRAM |
| MODEL | Di151 |
| VOLTAGE | AC100/115/120/127/ 200/220/240V |
| EFFECTIVE MACHINE NO. | XX0101 AND ONWARD |
| DATE ISSUED | Mar. 2000 |



| | |
|-----------------------|------------------------------------|
| DWG. NO. | 4008-B201-0A |
| TITLE | CIRCUIT DIAGRAM PWB-A |
| MODEL | Di151 |
| VOLTAGE | AC100/115/120/127/ 200/220/240V |
| EFFECTIVE MACHINE NO. | XX0101 AND ONWARD |
| DATE ISSUED | Mar. 2000 |

DC24V(SW):When S2 energized,DC24V is supplied.